

## 561 / 563 Slam Latch With Spring Loaded Plunger

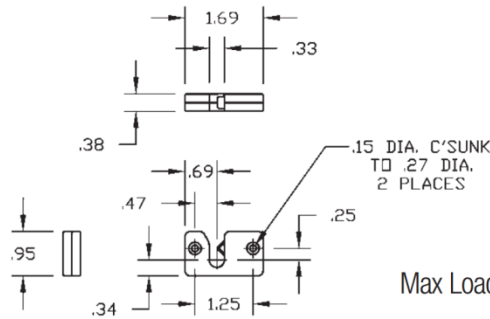
### Features

- These simple, effective strikes are intended for use with many latching mechanisms having 5/16" dia. rods (**561 Series**) or 3/8" dia. rods (**563 Series**) which normally operate as dead bolts
- The strikes have a spring-loaded plunger, which permits the rod to pass into the striker and capture it
- The rod cannot be released in the opposite direction. Instead, the rod is withdrawn in customary dead-bolt fashion
- **561 Series**
  - Has a plastic and glass-filled bolt, stainless steel spring, and a zinc die cast housing
  - Maximum load of 100 lbs
- **563 Series**
  - Has a zinc die cast bolt, stainless steel spring, and a zinc with yellow dichromate finish on the housing
  - Maximum load of 750 lbs



### Notes

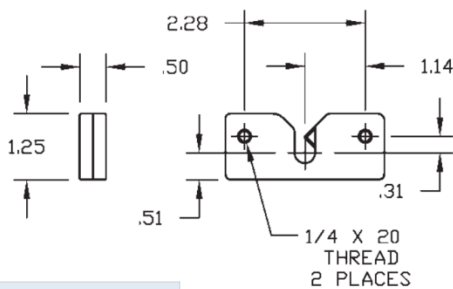
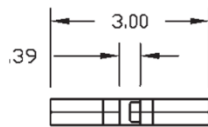
- Attach with screws, rivets, or bolts
- Rods sold separately



Max Load: 100 lbs.

Part No.

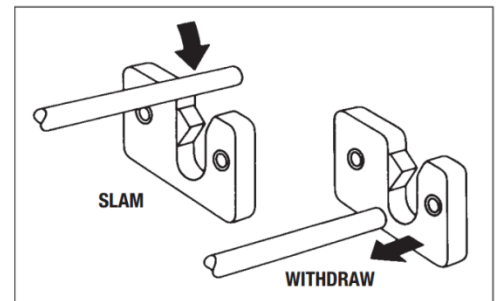
561-64



Max Load: 750 lbs.

Part No.

563-64

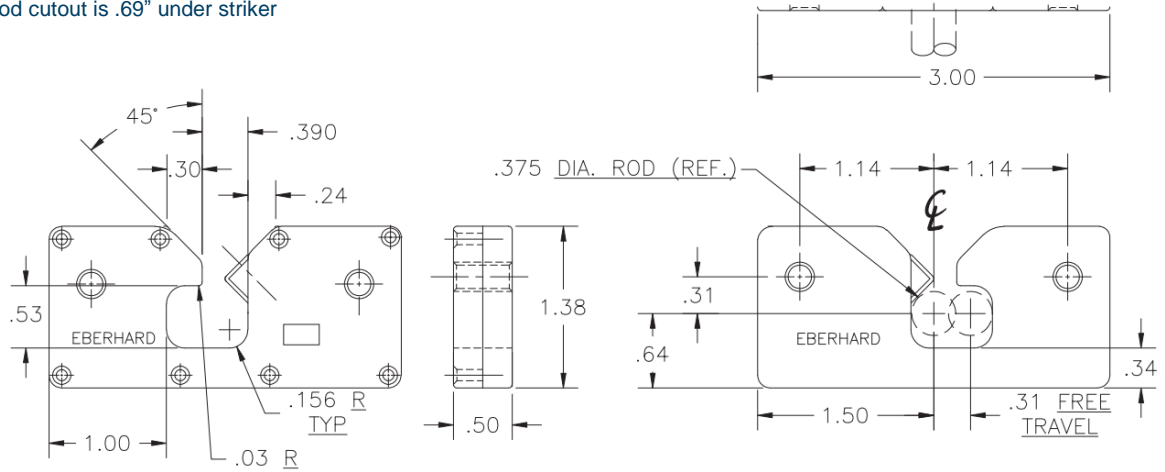


Dimensions in inches

## Other Variations

### Features

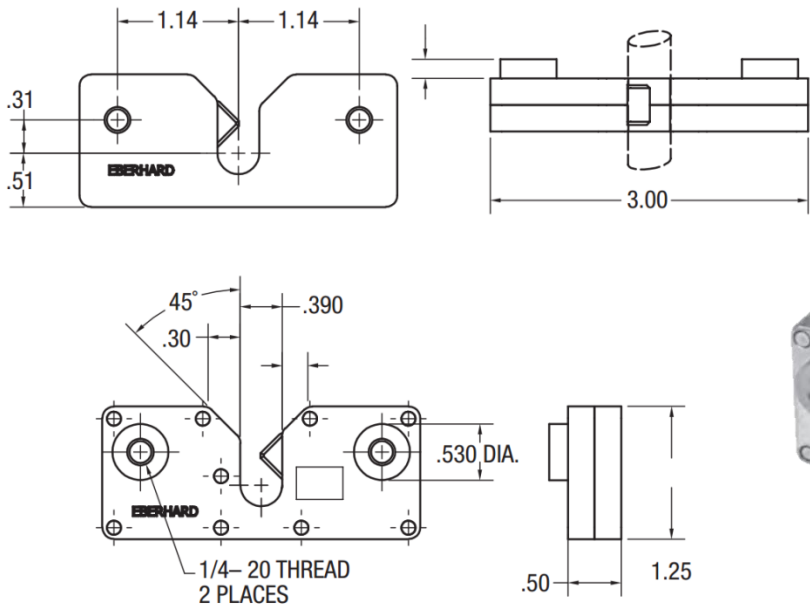
- Rod cutout is .69" under striker



<b>Part No.</b>
<b>3-563-64</b>

### Features

- Available with 1/4-20 threaded mounting holes and .530 dia. boss or M6 x 1.0 bosses



<b>Part No.</b>
<b>2-563-64</b>

Dimensions in inches



We are Eberhard's exclusive distributor